



16 Camera TR-B Control Panel

Compact On-Air Control Solution

The TR-B Control panel has been designed for easy On-Air operation. Using the standard Tally Interface, the TR-B is able to always follow the on-air camera providing an operator with a quick and reliable method of fine tuning camera positions.

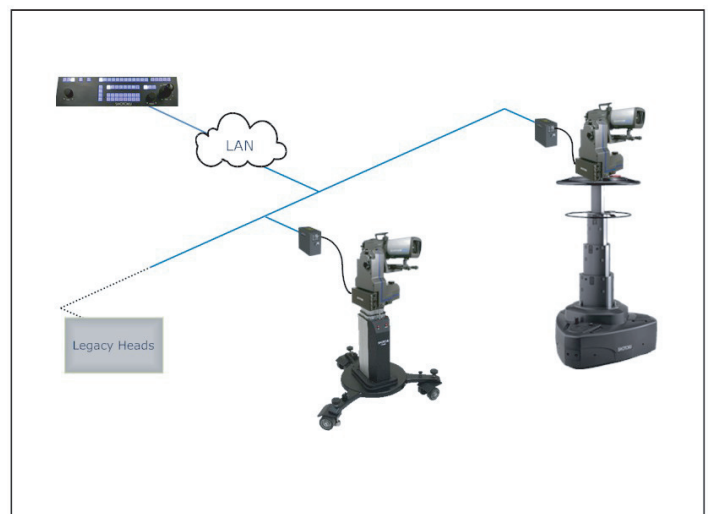
Storage of 10 shots per camera make the TR-B an ideal control panel for smaller systems as used on Game Shows and remote News facilities, as well as a fall-back unit in large multi-operator, multi-camera systems.

Ethernet and RS422 outputs as standard give forward and backward compatibility with all Shotoku robotic products as well as units from manufacturers such as Radamec meaning that you don't need to replace entire systems at one time during upgrades.

Advanced interfacing options provide connection to preview monitor switchers, tally outputs, Production Switchers for auto selection of the on-air camera and automation systems minimizing workload and therefore operator errors.

APPLICATIONS

- ▶ Parliaments and Legislatures
- ▶ News, Sports and Interview Studios
- ▶ Game Shows



Typical System Configuration

FEATURES

- Controls Up To 16 Cameras
- Simple Control System for On-Air Use
- 10 shots per camera
- Automatic 'On-Air' Camera selection
- Controls Existing Legacy Heads

SPECIFICATIONS

Controls	3-axis proportional Joystick for Pan, Tilt and Zoom Assignable Rotary encoders for Focus, Pan, Tilt and Zoom Adjustable Fade Times 10 Individual Shot Selection Buttons Individual Pan & Tilt reverse functions 16 Dedicated Camera Selection Keys with On Air Tally Fade, Cut, Swoop and Stop
Connections	RS-422 & Ethernet camera control ports RS-232/RS-422 Automation Interface GPI In/Out Switcher Tally
Size	19" Rack mount, 3RU high
Power	100-240V AC 50/60Hz